

TPS208 THERMOSTAT

Instructions

- ★ 5+2 DAY Programmable Room Thermostat
- ★ Blue backlight(Optional)
- ★ Infrared Remote Control (Optional)



SPECIFICATIONS

Set-point range: 5°C to 35°C

Accuracy: ± 1°C

Switch current rating: < 2A

Sensing element : NTC 10K

Control Performance:

ON/OFF control, 2°C differential

Display: LCD

Power supply: AC230V ± 10% 50/60 Hz

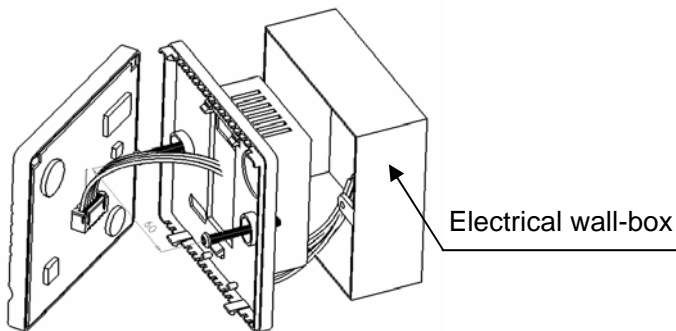
Dimensions: 86 x 86 x 13 mm

Housing: ABS Flame Retardant

Operating Rating:

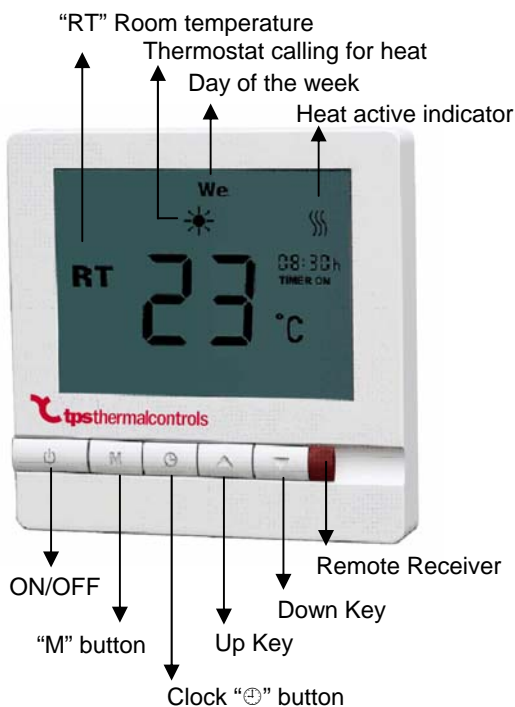
0 ~ 40°C, 5 ~ 95 %RH (non-condensing)

MOUNTING

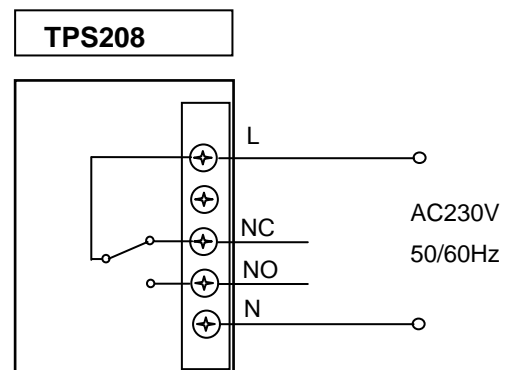


Screw terminals for 2 x 1.5 mm² or 1 x 2.5 mm², min. (0.5 mm²)

BUTTON DESCRIPTION



WIRING DIAGRAMS



POWER ON/OFF

- ☞ To turn the TPS208 on or off press “⏻”

FROST MODE (THERMOSTAT OFF)

To enable this operation;

- ☞ With the TPS208 turned off.
Press “M” for 3 seconds.
Select 01 (00=disabled)

When enabled and the TPS208 has been turned off, the icon “❄” will be showed and the heating will be activated if the room temperature is lower than 5°C; the heating will be stopped if the room temperature is higher than 7°C.

TEMPERATURE CALIBRATING:

- ☞ With the TPS208 turned off, Press “▲” and “▼” for 3 seconds. The display will show the actual temperature
- ☞ Press “▲” or “▼” to adjust the temperature to the correct value.
- ☞ Press “⏻” to turn off. The calibration setting will now be stored.

NORMAL OPERATING MODE:

RT = When the TPS208 is in the operating mode; RT is displayed and indicates the Room Temperature.

SET = Pressing the UP or DOWN key once will display SET and the current set-point temperature. You are able to increase/decrease the set-point temperature using the UP/DOWN keys. This temperature change is only temporary and will be maintained only until the next programmed setting.

SETTING THE CLOCK

- ☞ Press “⌚” once, minute will be flash.
- ☞ Use the Up/Down key to select the minutes.
- ☞ Press “⌚” again, hour will be flash.
- ☞ Use the Up/Down key to select the hours
- ☞ Press “⌚” button, till to week flash.
- ☞ Use the Up/Down key to select the day of the week.

SETTING THE HEATING PROGRAM

- ☞ Press “⌚” for 3 seconds, the number 1 and “Mo Tu We Th Fr” are displayed.
This indicates that you are able to program switching time 1 for the week-day.
- ☞ Use Up/Down keys to set the required start time.
- ☞ Press “⌚” to accept this setting.
- ☞ Use the Up/Down key to set the required temp.
- ☞ Press “⌚” to accept this setting.
- ☞ Repeat for switching times 2-4 week-day.
- ☞ After you have programmed times 1-4 for the weekday, you are now able to set the switching times for weekend “Sa Su” will be displayed.
- ☞ Use Up/Down keys to set the required start time.
- ☞ Press “⌚” to accept this setting.
- ☞ Use the Up/Down key to set the required temp.
- ☞ Repeat for switching times 2-4 for the week-end

Note ; recommended settings

This thermostat is programmable and has 4 events during the day .

Event 1. waking 7am set at 20 deg c

Event 2 leaving 9am set at 5 deg c or if background heat is required set at desired temperature .

Event 3. returning 5pm set at 20 deg c

Event 4. going to bed ? set at 5 deg c or if background heat is required set at desired temperature .

Remember by setting your temperature down by 1 degree it will save 10% on your fuel bill